

HJBM PLUS 35 M4 0,12kW (268363103)

GENERAL DATA



SQUARE WALL PLATE FAN, VARIABLE PITCH BLADES AND HIGH EFFICIENCY MOTOR

MANUFACTURING FEATURES

- Squared frame in galvanized steel sheet with C4 anti-corrosion finish.
- Variable pitch angle polyamide impeller reinforced with fibreglass.
- Supplied with motor support and protection guard according to the UNE-EN 20-359-74 norm and the ROHS 2002/95/EC Directive (Restriction of the Use of Certain Hazardous Substances in Electrical and Electronic Equipments).
- High efficiency standard asynchronous squirrel-cage motor with IP-55 or IP-54 protection (wiring box IP-65) and Class F insulation. Manufactured with standard voltages: 230V 50Hz for single phase motors, 230/400V 50Hz for three phase motors.

APPLICATIONS

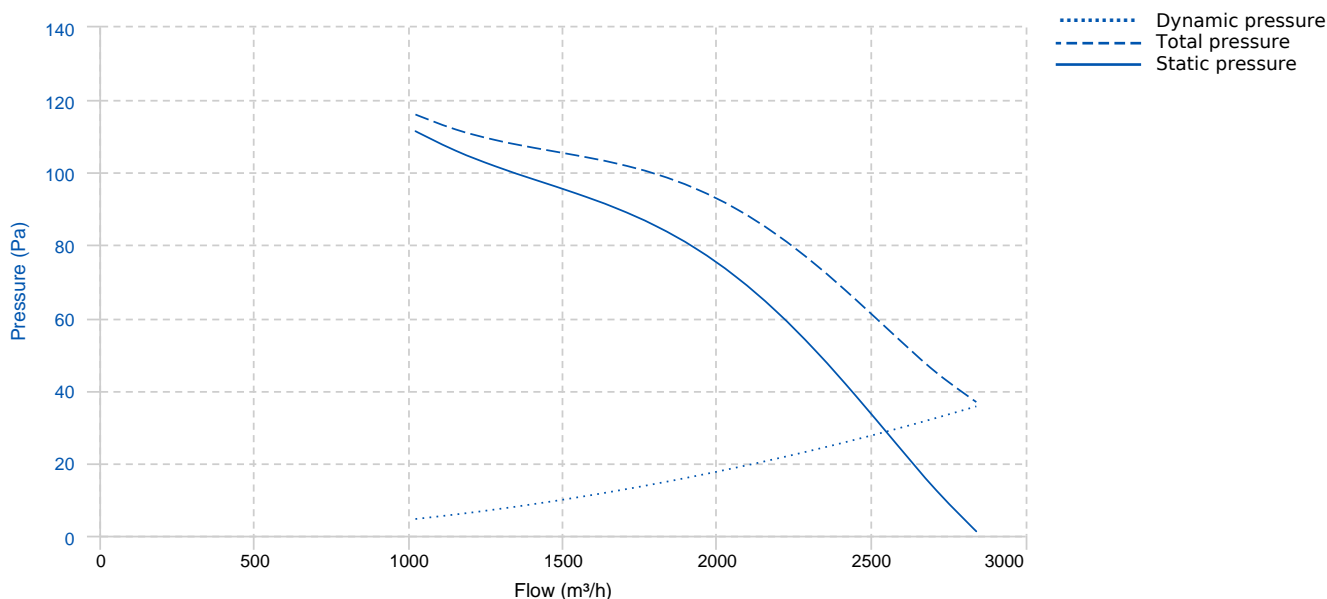
Designed for wall assembly, they are suitable for:

- Air renewal in buildings and industries.
- Maximum working temperature: single phase 50°C, three phase 60°C.

UNDER REQUEST

- Aluminium impeller.
- 60Hz fans.

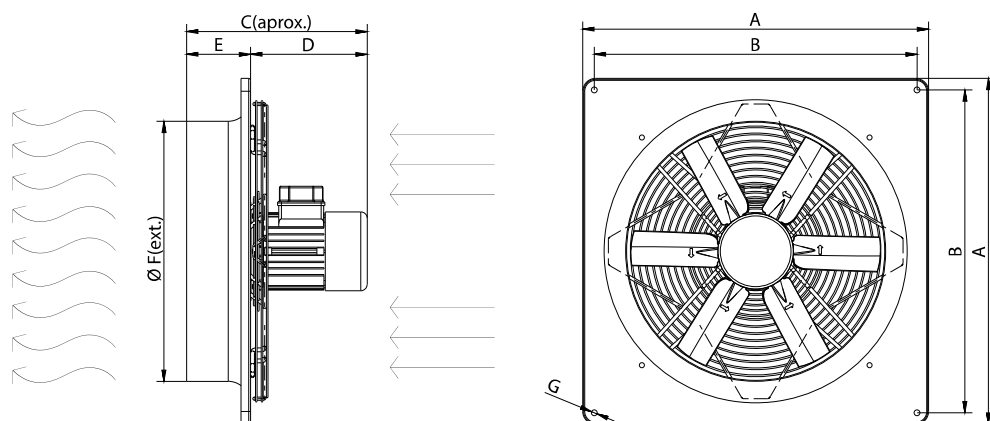
PERFORMANCE CURVE



TECHNICAL DATA

Fan							
RPM	1380	Approx. weight	6.5 kg	Max. Flow	2850 m³/h		
Motor							
Power	0,12 kW	RPM	1380	Capacitor	6µF 450V	I max. (230V)	0,93 A
Size	63	Approx. weight	4.5 kg	Efficiency (%)	59,1 %	FP	0,95

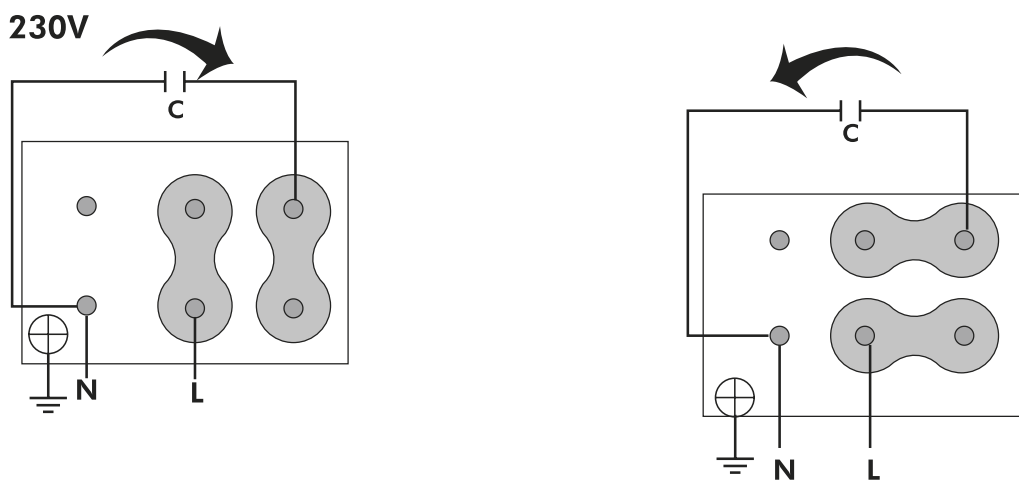
DIMENSIONS



Dimensions (mm)

A	460	B	392	C	269,8	D	183,8	E	86
ØF	366	ØG	9						

WIRING DIAGRAM



ACCESSORIES



SAFETY SWITCH
INT 25 3P A
REF: INT253PA



Outlet protection guard for axial fans
RP0 35
REF: 980000035

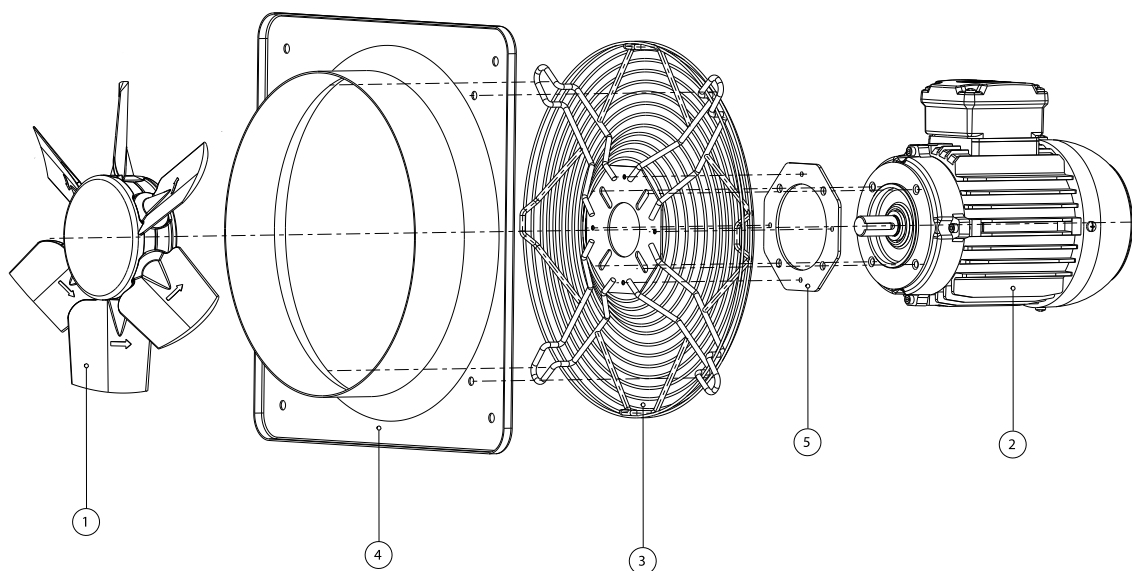


PLASTIC GRAVITY SHUTTER
PCP 35
REF: 963230105G



ALUMINIUM GRAVITY SHUTTER
PC2 40
REF: PC24040

SPARE PARTS



	Code	Model	Qty
1	R-H35006135PSTD	IMPELLER 350:AP0:6 G35 D11	x1
2	720301113	MOTOR 0,12kW M4 B14 230V	x1
3	R-268351902	PROTECTION GRID HJBM35	x1
4	R-265351778A001	FRAME HJEM-HJBM35	x1
5	R-268401909	SUPPORT MOTOR DISC HJBM25-30-35-40 T.63	x1